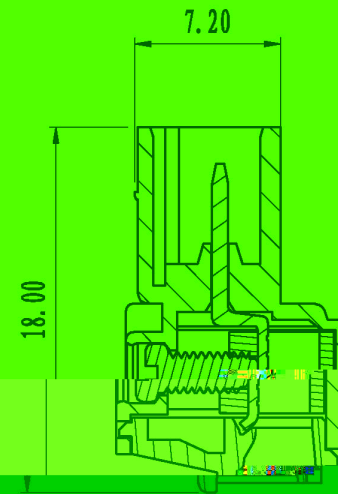
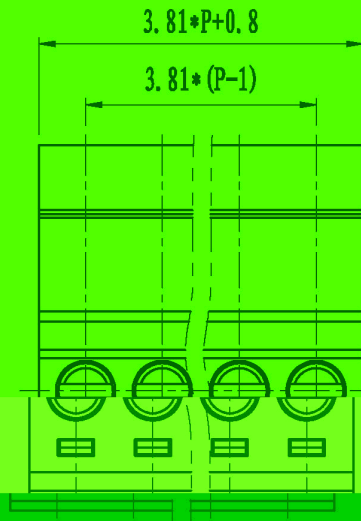
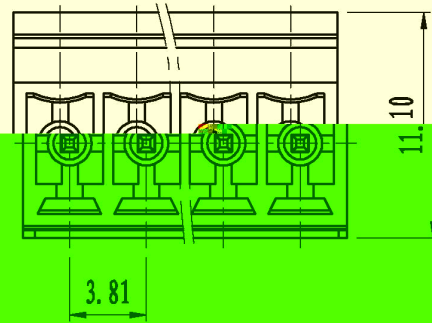


REVISION RECORD			
REV.	CONTENT	MOD.	DATE
△	新发行		



NOTES:

Pitch: 3.81mm Pole: 2-24P
 Rated Voltage: 160V
 Rated Current: 12A
 Withstand Voltage: AC2000V for 1 minute
 Insulation Resistance : 5MΩ/DC500V
 Using Temperature Range : -40° ^+150°
 Wire range : 30-12 AWG
 Screw Torque Value : 0.2N.m

技术要求:

间距: 3.81mm 极数: 2-24P
 额定电压: 300V
 额定电流: 15A
 耐电压值: AC 2000V/min
 绝缘阻抗: 5MΩ
 使用条件: -40℃ -+105℃
 适用线规: 30-12AWG
 螺丝扭矩: 0.2 N.m