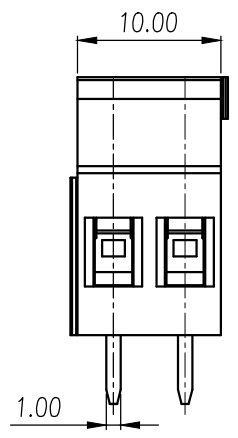
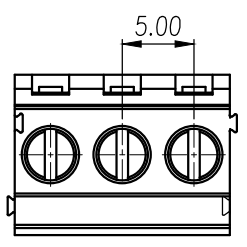
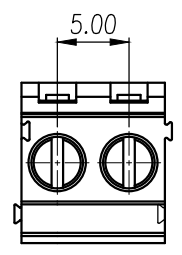
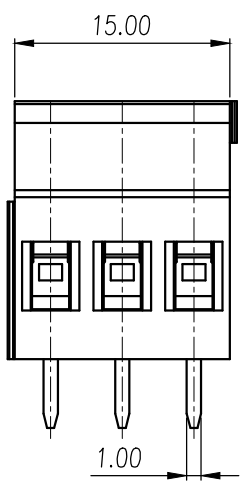


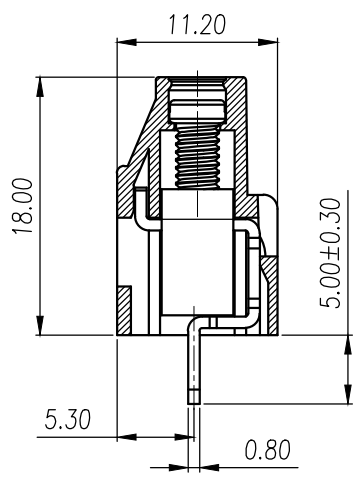
| | |
|------|-----|
| REV. | COM |
| △ | |




<2P>



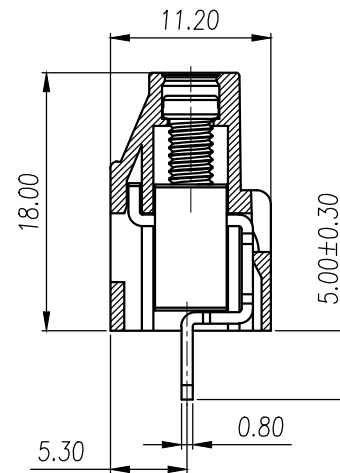
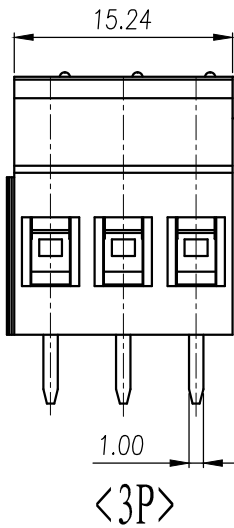
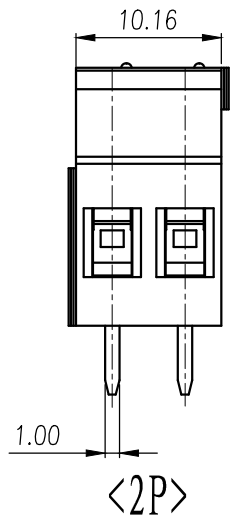
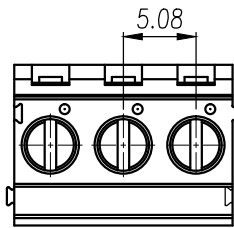
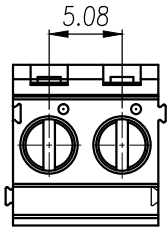
<3P>



| | | | | | |
|--|-------------------|--------------|-----|---------|------|
| 4. | LG129V-焊脚 | | P | 黄铜 | |
| 3. | LG129-铜方块 | | P | 黄铜 | |
| 2. | LG129-螺丝 | | P | 碳钢 | 三价钝化 |
| 1 | LG129-5.0-本体(带拼接) | 2018A0YXXAVP | 1 | PA66-V0 | |
| NO. | NAME OF PART | NO. OF PART | | | |
| DES. | DATE | UNI | | | |
| CHK. | | | ◎ ◁ | | |
| REV: 1 | | | | | |
|  上海联捷电气有限公司 | | | | | |

REVISION RECORD

| REV. | CONTENT | MOD. | DATE |
|------|---------|------|------|
| | | | |



| NO. | NAME OF PART | NO. OF PART | Q'TY | MATERIAL | NOTES |
|------|--------------|-------------|------|-----------|-------|
| DES. | DATE | UNITS | mm | THICKNESS | |
| CHK. | | SCALE | | | |
| | | | | TITLE | |