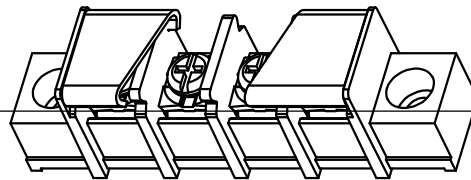
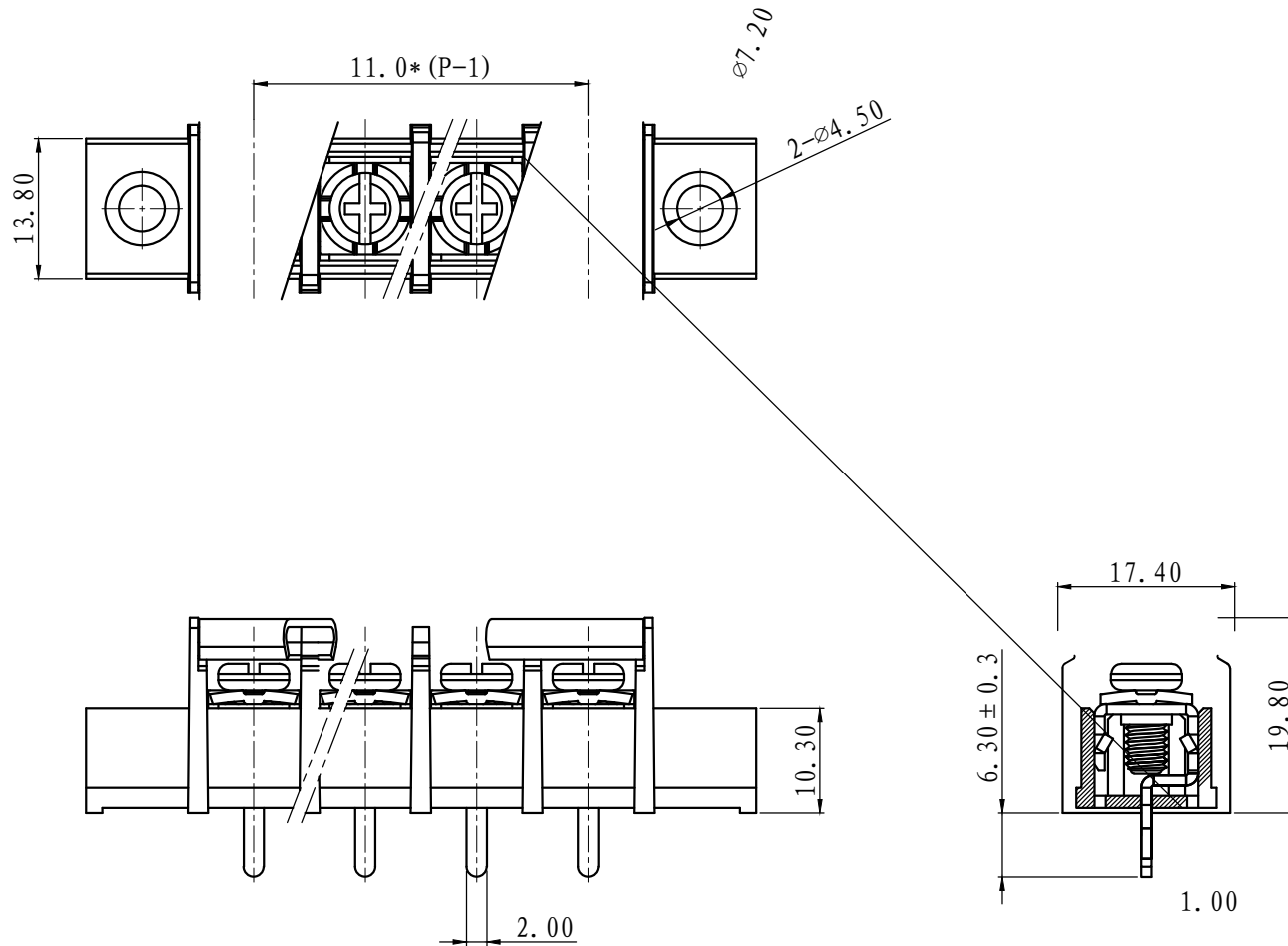


REVISION RECORD			
REV.	CONTENT	MOD.	DATE
△	初版发行		



variable range	to 30	over 60	—
Tolerance			0.05/10

3	LW1C-11.0焊脚		P	黄铜	镀雾锡
2	M4*8-9*9螺丝	SQFFA408063V	P		三价铬钝化彩锌
1	LW2M-11.0-本体	5012M0YXXAV	1	PA66-V0	
NO.	NAME OF PART	NO. OF PART	Q'TY	MATERIAL	NOTES
DES.	ARKINE	DATE 11/03/27	UNITS	MM	THIRD ANGLE PROJECTION SHEET
CHK.		DATE	SIZE	A4	1 of 1
APP.		DATE	SCALE	1:1	DWG NO. SP-2-5012005
上海联捷电气有限公司 Shanghai Elinker Electric C.O.,LTD				TITLE	LW2MC-11.0-XXP-1Y-00A LW2MC-11.0-成品