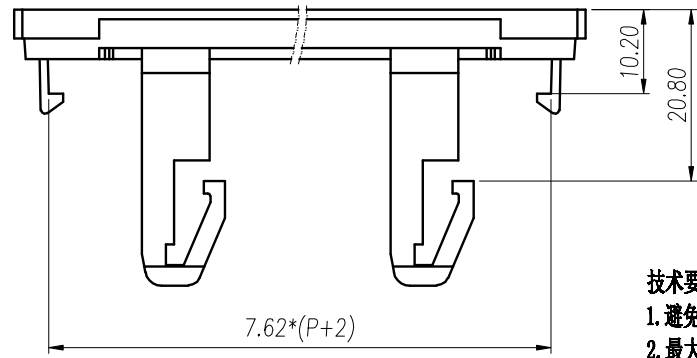
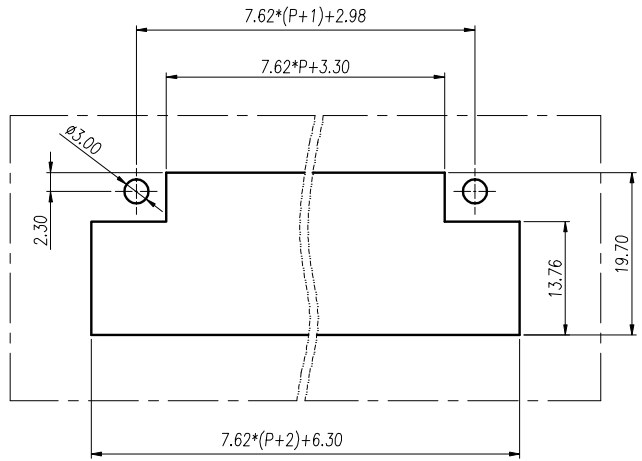
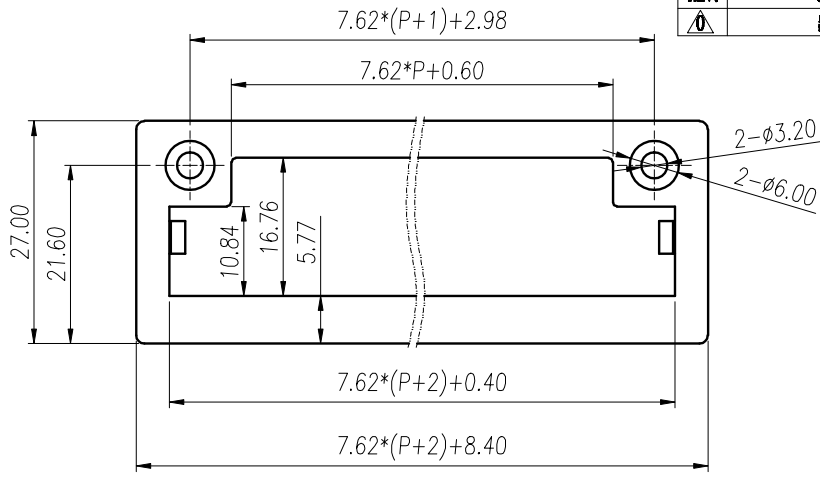
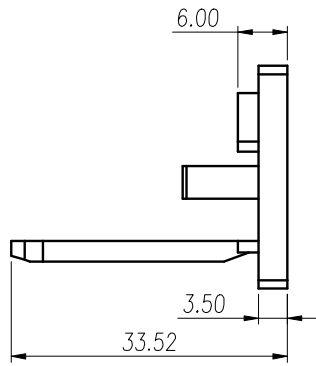



REVISION RECORD			
REV.	CONTENT	MOD.	DATE
①	出版发行		



技术要求:  
 1. 避免色差、明显变形和缩水等现象  
 2. 最大毛边为0.05mm

	pitch dimension			Nominal dimension					— /
	over 0	over 6	over 10	over 0	over 30	over 60	over 100	over 150	
variable range	to 6	to 10	to 24	to 30	to 60	to 100	to 150		□
Tolerance	±0.1	±0.15	±0.25	±0.2	±0.3	±0.5	±0.7	±1.0	○

1	LZ5XH-7.62-主体	1157A0YXXAV	1	PA66-V0	
NO.	NAME OF PART	NO. OF PART	Q' TY	MATERIAL	NOTES
DES.	WYY	DATE	2020/03/07	UNITS	MM
CHK.		DATE		SIZE	A4
APP.		DATE		SCALE	1:1
				DWG NO.	SP-1-1157001
				REV:	V0
 <b>上海联捷电气有限公司</b> Shanghai Elinker Electric C O.,LTD				TITLE	
				1157A0YXXAV LZ5XH-7.62-主体	